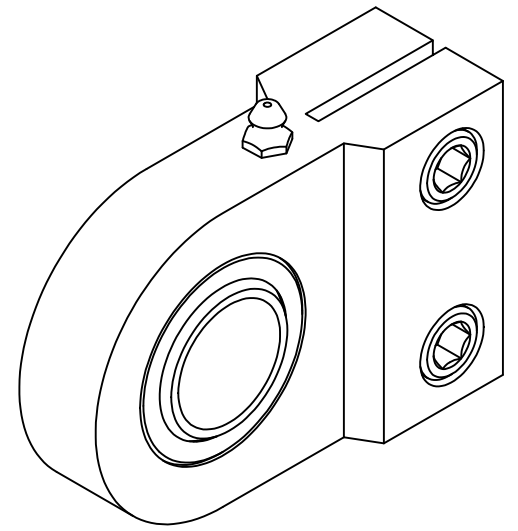


2X
 3/8-24 SHCS
 5/16 HEX KEY
 30 lb-ft TORQUE



THIS DOCUMENT CONTAINS INFORMATION THAT IS CONFIDENTIAL AND PROPRIETARY TO PARKER HANNIFIN CORPORATION. THIS DOCUMENT IS FURNISHED ON THE UNDERSTANDING THAT THE DOCUMENT AND THE INFORMATION IT CONTAINS WILL NOT BE COPIED OR DISCLOSED TO OTHERS EXCEPT WITH THE WRITTEN CONSENT OF PARKER HANNIFIN. WILL NOT BE USED FOR ANY PURPOSE OTHER THAN CONDUCTING BUSINESS WITH PARKER HANNIFIN, AND WILL BE RETURNED AND ALL FURTHER USE DISCONTINUED UPON REQUEST BY PARKER HANNIFIN.

REV.	ECO-	DATE
-	0168745	9/15/16

MATERIAL	HEAT TREATMENT

PARKER HANNIFIN CORP.
 CYLINDER DIVISION
 DES PLAINES, IL 60016

SPHERICAL ROD EYE ASSEMBLY
 SE MOUNT
 2" BORE
 SERIES 2H, 3H, RDH

PART NO.	0978200100
DRAWING NO.	0978200100_CTLG
REV.	-

(UNLESS OTHERWISE SPECIFIED) TOLS. AND FINISHES PER ES-008, GEOMETRIC TOLS. PER CURRENT ASME Y14.5M STANDARD.
 © COPYRIGHT PARKER. ALL RIGHTS RESERVED. YEAR OF COPYRIGHT IS FIRST YEAR INDICATED ON THIS DOCUMENT.

SCALE	DATE	DRAWN BY	CHK. BY	APPD. BY
3:4	9/20/16	Parker Hannifin		

A

Autodesk Inventor