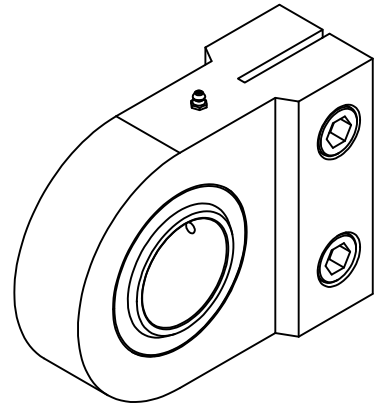
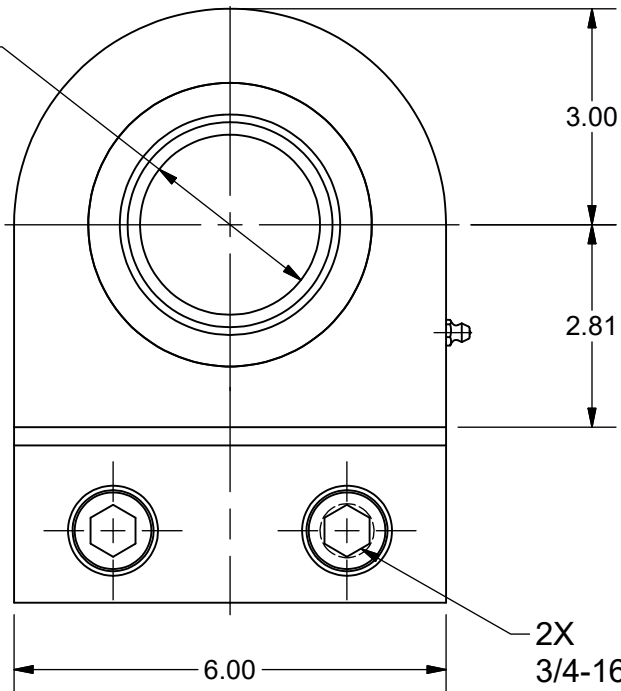


Ø2.5000 +.0000
-.0006



THIS DOCUMENT CONTAINS INFORMATION THAT IS CONFIDENTIAL AND PROPRIETARY TO PARKER HANNIFIN CORPORATION. THIS DOCUMENT IS FURNISHED ON THE UNDERSTANDING THAT THE DOCUMENT AND THE INFORMATION IT CONTAINS WILL NOT BE COPIED OR DISCLOSED TO OTHERS EXCEPT WITH THE WRITTEN CONSENT OF PARKER HANNIFIN. WILL NOT BE USED FOR ANY PURPOSE OTHER THAN CONDUCTING BUSINESS WITH PARKER HANNIFIN, AND WILL BE RETURNED AND ALL FURTHER USE DISCONTINUED UPON REQUEST BY PARKER HANNIFIN.

REV.	ECO-	DATE
-	0168745	9/15/16

MATERIAL	PARKER HANNIFIN CORP.
HEAT TREATMENT	CYLINDER DIVISION
	DES PLAINES, IL 60016

SPHERICAL ROD EYE ASSEMBLY
SE MOUNT
5" BORE
SERIES 2H, 3H, RDH



PART NO.	0978200250
DRAWING NO.	0978200250_CTLG
REV.	-

(UNLESS OTHERWISE SPECIFIED) TOLS. AND FINISHES PER ES-008, GEOMETRIC TOLS. PER CURRENT ASME Y14.5M STANDARD.
© COPYRIGHT PARKER. ALL RIGHTS RESERVED. YEAR OF COPYRIGHT IS FIRST YEAR INDICATED ON THIS DOCUMENT.

SCALE	DATE	DRAWN BY	CHK. BY	APPD. BY
3:8	9/20/16	Parker Hannifin		

Autodesk Inventor