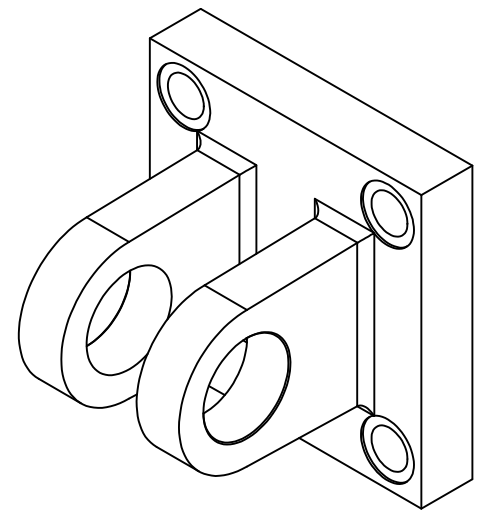
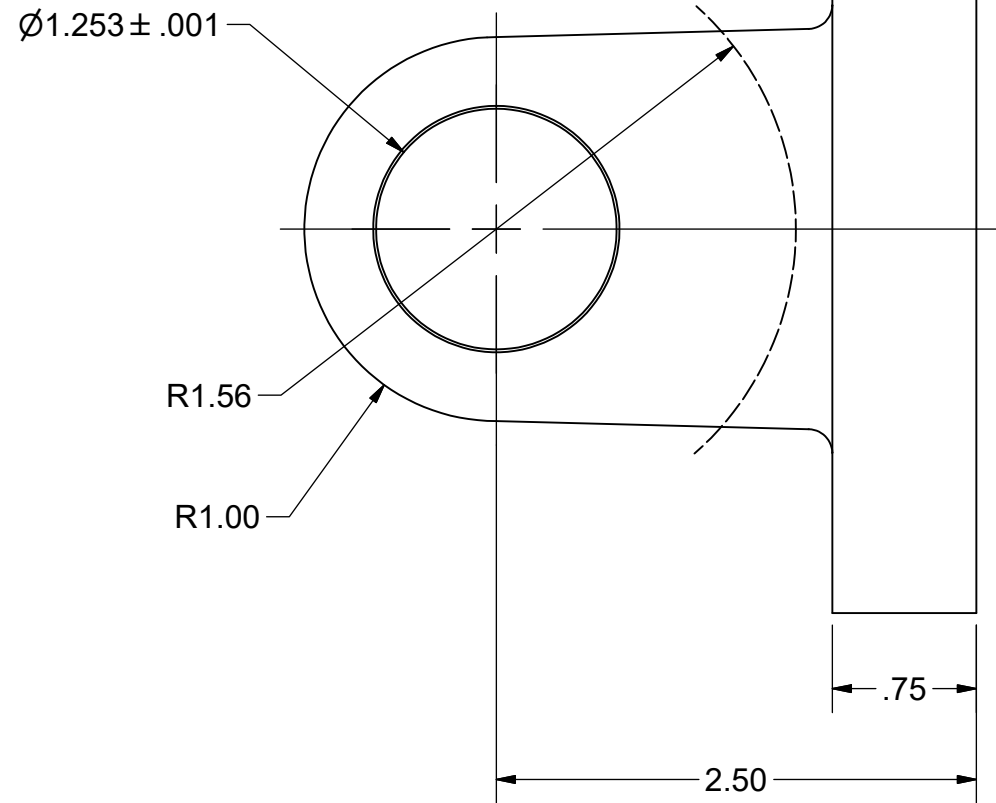


4X Ø.53 THRU



NOTES:
1. LOAD CAPACITY (lb.) 14,726.

THIS DOCUMENT CONTAINS INFORMATION THAT IS CONFIDENTIAL AND PROPRIETARY TO PARKER HANNIFIN CORPORATION. THIS DOCUMENT IS FURNISHED ON THE UNDERSTANDING THAT THE DOCUMENT AND THE INFORMATION IT CONTAINS WILL NOT BE COPIED OR DISCLOSED TO OTHERS EXCEPT WITH THE WRITTEN CONSENT OF PARKER HANNIFIN, WILL NOT BE USED FOR ANY PURPOSE OTHER THAN CONDUCTING BUSINESS WITH PARKER HANNIFIN, AND WILL BE RETURNED AND ALL FURTHER USE DISCONTINUED UPON REQUEST BY PARKER HANNIFIN.

(UNLESS OTHERWISE SPECIFIED) TOLS. AND FINISHES PER ES-008. GEOMETRIC TOLS. PER CURRENT ASME Y14.5M STANDARD.

© COPYRIGHT PARKER. ALL RIGHTS RESERVED. YEAR OF COPYRIGHT IS FIRST YEAR INDICATED ON THIS DOCUMENT.

MATERIAL		1020 / 1018 STEEL	
HEAT TREATMENT			
REV.	E.C.NO.	DATE	
-	0168745	9/15/16	
SCALE	DATE	DRAWN BY	CHK. BY
1:1	9/15/16	Parker Hannifin	
APPD. BY			

PARKER HANNIFIN CORP.
CYLINDER DIVISION
DES PLAINES, IL 60016

Parker
Cylinder

CLEVIS BRACKET
FOR SE MOUNT ø1 1/4" PIN

PART NO.		0977270125	
DRAWING NO.		0977270125_CTLG	
REV.	-		

B

Autodesk Inventor