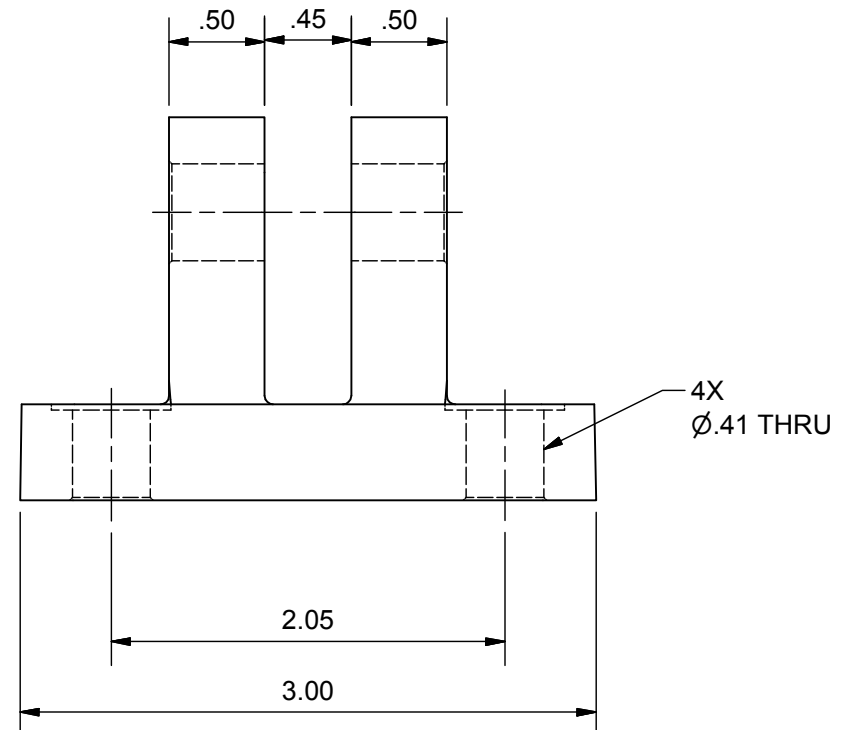
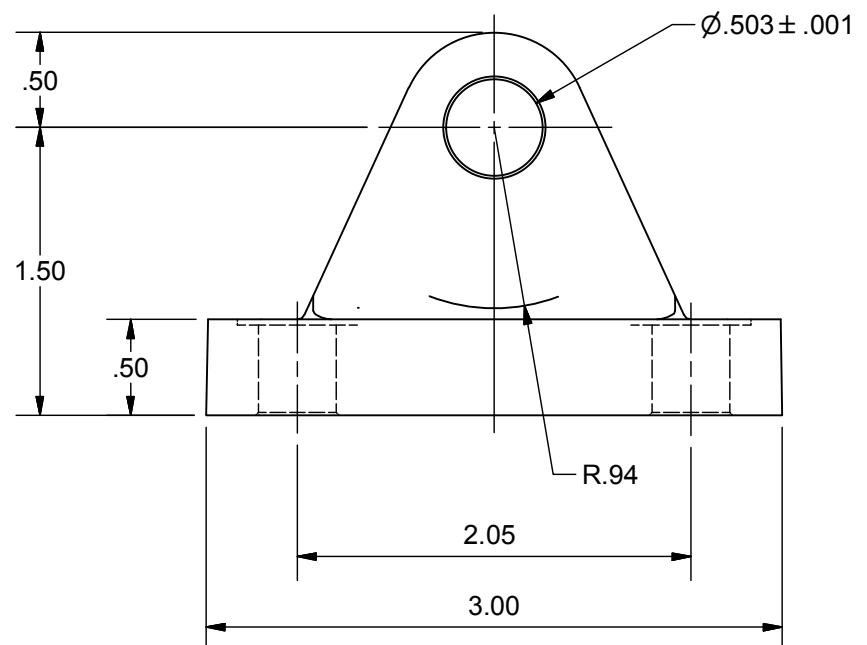


10  
8  
6  
4  
2  
0



- NOTES
- MATING PARTS:  
SPHERICAL ROD EYE PART NUMBER 1322900000.  
PIVOT PIN PART NUMBER 0839620000.
  - LOAD CAPACITY (lb) 5770.
  - CAST IRON CLEVIS BRACKET MUST NOT BE WELDED IN PLACE.**

THIS DOCUMENT CONTAINS INFORMATION THAT IS CONFIDENTIAL AND PROPRIETARY TO PARKER HANNIFIN CORPORATION. THIS DOCUMENT IS FURNISHED ON THE UNDERSTANDING THAT THE DOCUMENT AND THE INFORMATION IT CONTAINS WILL NOT BE COPIED OR DISCLOSED TO OTHERS EXCEPT WITH THE WRITTEN CONSENT OF PARKER HANNIFIN, WILL NOT BE USED FOR ANY PURPOSE OTHER THAN CONDUCTING BUSINESS WITH PARKER HANNIFIN, AND WILL BE RETURNED AND ALL FURTHER USE DISCONTINUED UPON REQUEST BY PARKER HANNIFIN.

PARTS SHOWN AS STANDARD CATALOG DIMENSIONS. ACTUAL PARTS & CAD MODELS MAY VARY PER STANDARD TOLERANCES.

© COPYRIGHT PARKER. ALL RIGHTS RESERVED. YEAR OF COPYRIGHT IS FIRST YEAR INDICATED ON THIS DOCUMENT.

1	38994	10/10/10			
REV.	E.C.NO.	DATE	SCALE	DATE	DRAWN BY
			FULL	10/10/10	Parker Hannifin

MATERIAL  
CAST IRON

HEAT TREATMENT

PARKER HANNIFIN CORP.  
CYLINDER DIVISION  
DES PLAINES, IL 60016

**Parker**  
Cylinder

CLEVIS BRACKET  
FOR SPHERICAL ROD EYE  
Ø.50" PIN  
CAST IRON

PART NO. 0959450000	
DRAWING NO. 0959450000_CTLG	REV. 1

B  
Autodesk Inventor