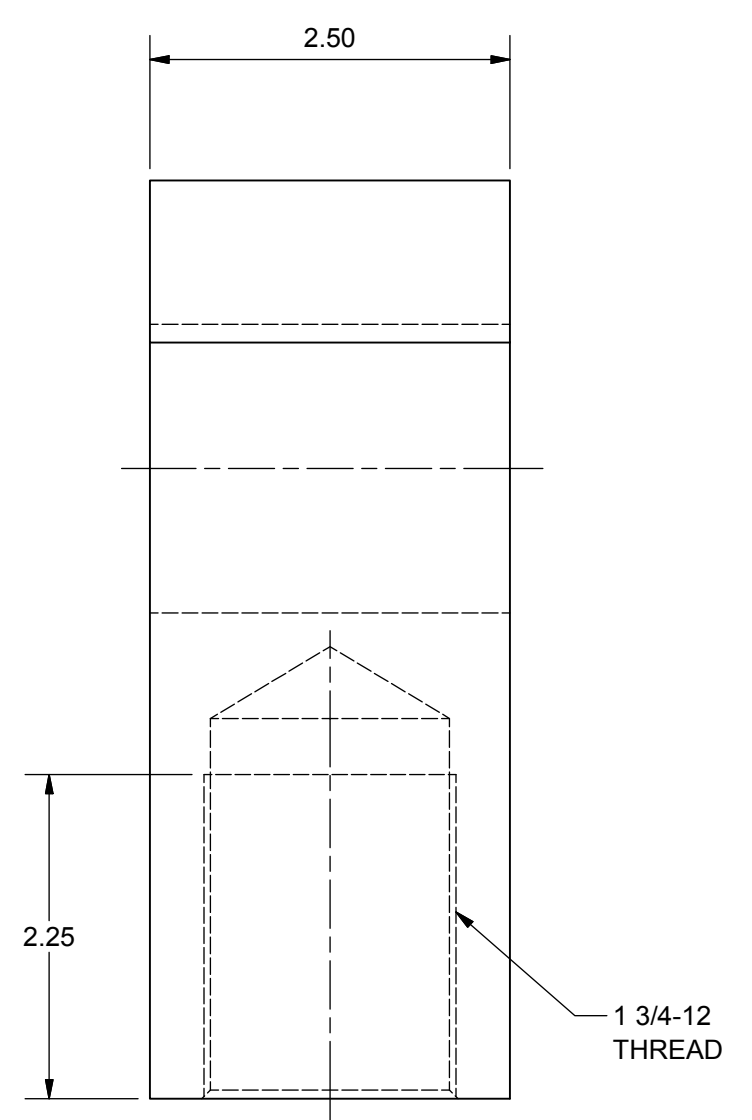
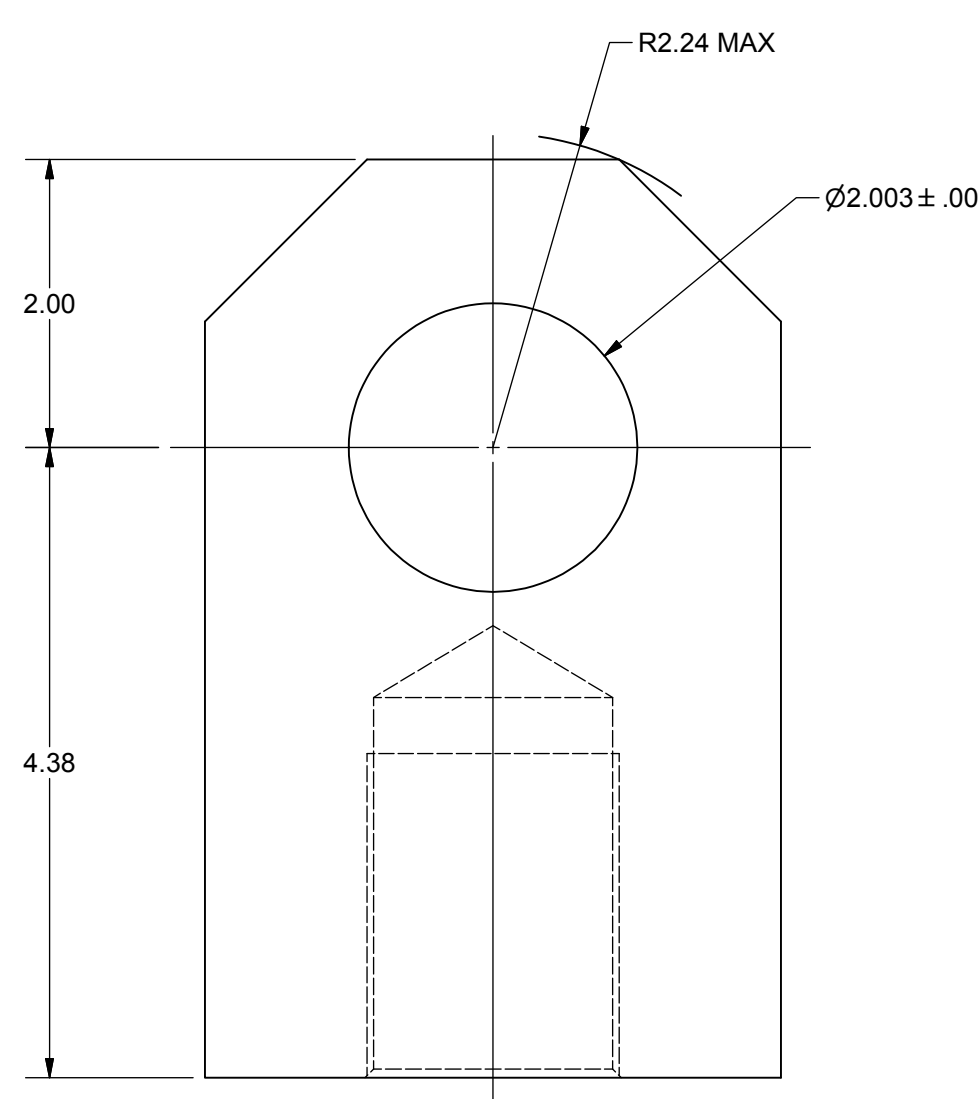
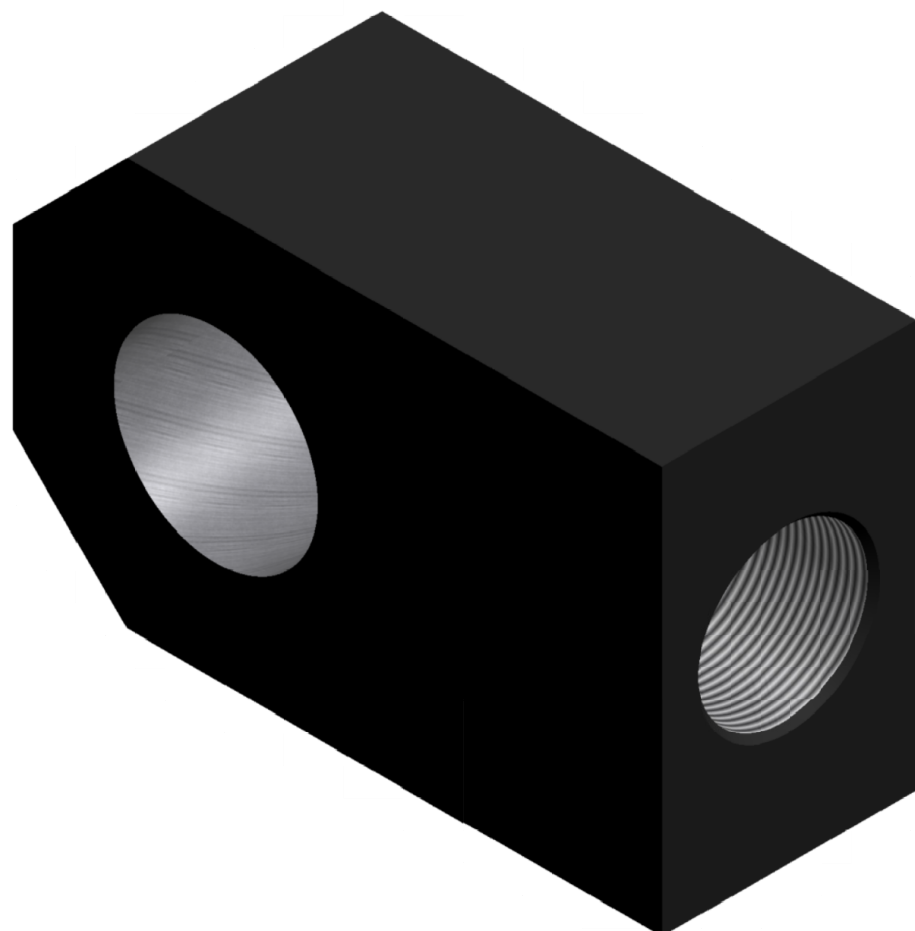



10
8
6
4
2
0



- NOTES
- MATING PARTS:
CLEVIS BRACKET PART NUMBER
0960160200 (CAST IRON) OR 0692100000 (FABRICATED STEEL).
PIVOT PIN PART NUMBER 0692150000.
 - LOAD CAPACITY (lb) 53500.

THIS DOCUMENT CONTAINS INFORMATION THAT IS CONFIDENTIAL AND PROPRIETARY TO PARKER HANNIFIN CORPORATION. THIS DOCUMENT IS FURNISHED ON THE UNDERSTANDING THAT THE DOCUMENT AND THE INFORMATION IT CONTAINS WILL NOT BE COPIED OR DISCLOSED TO OTHERS EXCEPT WITH THE WRITTEN CONSENT OF PARKER HANNIFIN, WILL NOT BE USED FOR ANY PURPOSE OTHER THAN CONDUCTING BUSINESS WITH PARKER HANNIFIN, AND WILL BE RETURNED AND ALL FURTHER USE DISCONTINUED UPON REQUEST BY PARKER HANNIFIN. PARTS SHOWN AS STANDARD CATALOG DIMENSIONS. ACTUAL PARTS & CAD MODELS MAY VARY PER STANDARD TOLERANCES. © COPYRIGHT PARKER. ALL RIGHTS RESERVED. YEAR OF COPYRIGHT IS FIRST YEAR INDICATED ON THIS DOCUMENT.				MATERIAL	PARKER HANNIFIN CORP. 		PART NO. 0690960000		
				STEEL	CYLINDER DIVISION DES PLAINES, IL 60016			DRAWING NO. 0690960000_CTLG	
	1	38994	10/10/10	HEAT TREATMENT	ROD KNUCKLE		REV. 1		
REV.	E.C.NO.	DATE		SCALE	DATE	DRAWN BY	CHK. BY	APPD. BY	Ø2.00" PIN 1 3/4-12 THREAD
				.75X	10/10/10	Parker Hannifin			

B

Autodesk Inventor